



ALUMINUM RAMP OWNER'S MANUAL



WARNING



READ ALL INSTRUCTIONS BEFORE USING THE RAMP

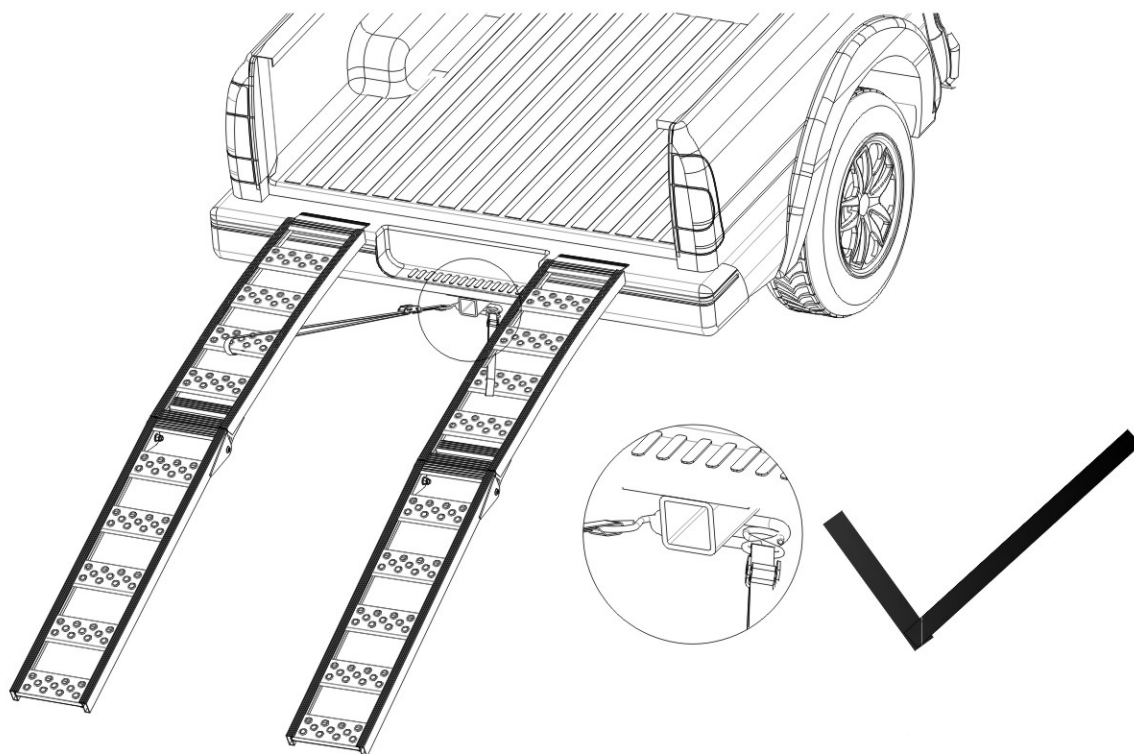
1. Do not allow others to use without reading instructions.
2. If an accident, injury, or loss occurs due to the purchaser's modification, alteration or re-assembly Rockland is not responsible.
3. Use as a ramp only, not designed for any other use.
4. Failure to heed warnings could result in serious bodily injury or property damage.
5. Use caution when folding or unfolding ramps.
6. Keep body extremities clear of pinch areas
7. The safety straps must be used correctly to limit ramp movement.
8. Use ramps on a level and stable surface.
9. Never ride equipment/vehicles up or down ramp.
10. **When loading or unloading, never leave equipment/vehicle engine running.**
11. Do not exceed load capacity of tailgate or ramp.
12. **When loading or unloading, if the ramp bows, remove load immediately.**
13. When wet, ramp and other surfaces may be slippery.
14. Do not leave attached ramps unattended.
15. Always clear area of bystanders when loading or unloading.
16. The safety straps must be tight against ramp and vehicle to keep ramp secure.

INSTRUCTIONS

WHEN RAMP IS IN USE, ALWAYS:

1. Always chock tires and set parking brake on the loading vehicle to eliminate movement.
2. Use caution when loading or unloading equipment.
3. Securely attach safety straps to ramp and to vehicle as tight as possible to eliminate any possible movement of ramp.
4. Attach safety straps to ramp and adjust ramp several times trying to disconnect it from tailgate.
5. Keep making adjustments until you cannot remove the ramp from the tailgate and safety strap is tight.
6. Attach on side of the safety strap to hitch area or under bumper.
7. Attach the other side to the middle of the ramp using the expanded metal or crossmembers as an anchor point.
8. Never use the handles to secure safety straps.
9. Do not overload ramp or tailgate.

RIGHT WAY



WRONG WAY

